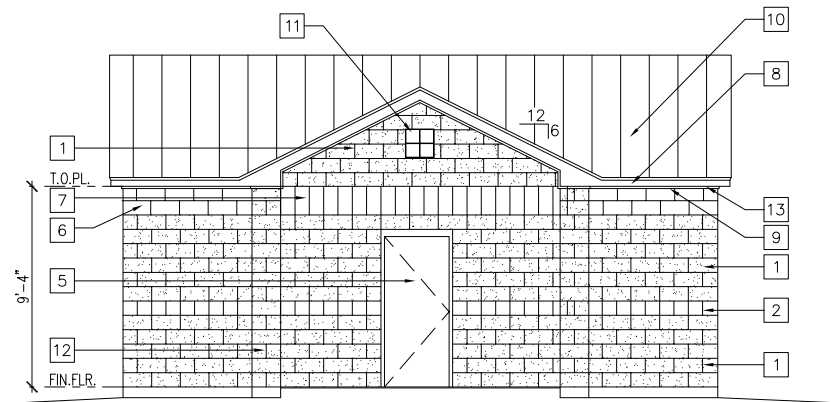
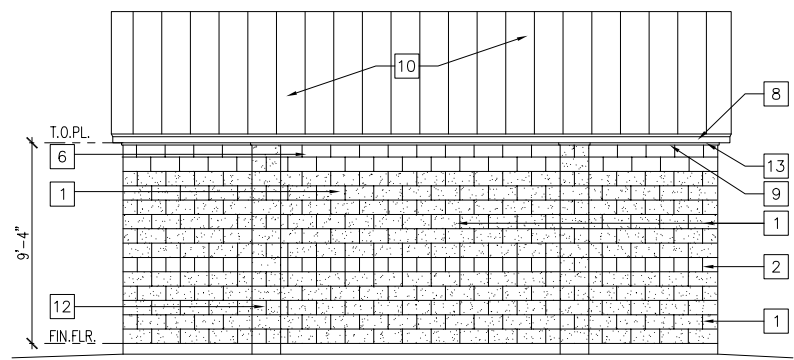


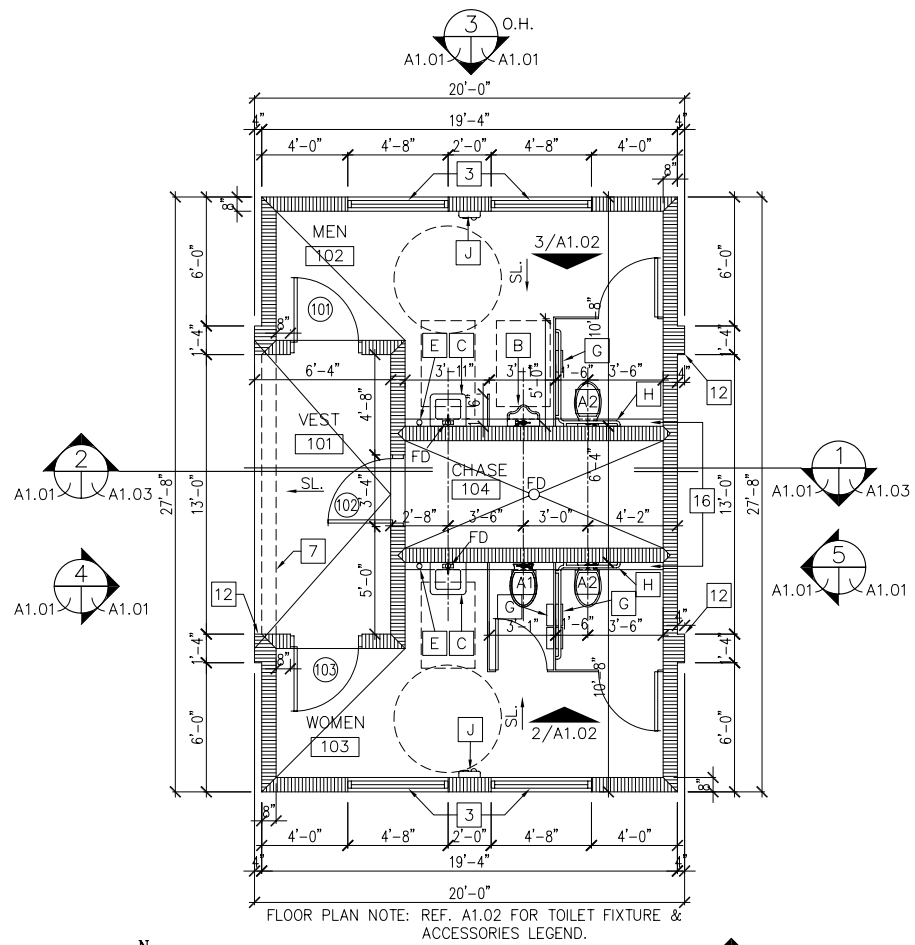
3 SOUTH ELEVATION (NORTH O.H.)
SCALE: 1/4" = 1'-0"
A0.01 A1.01



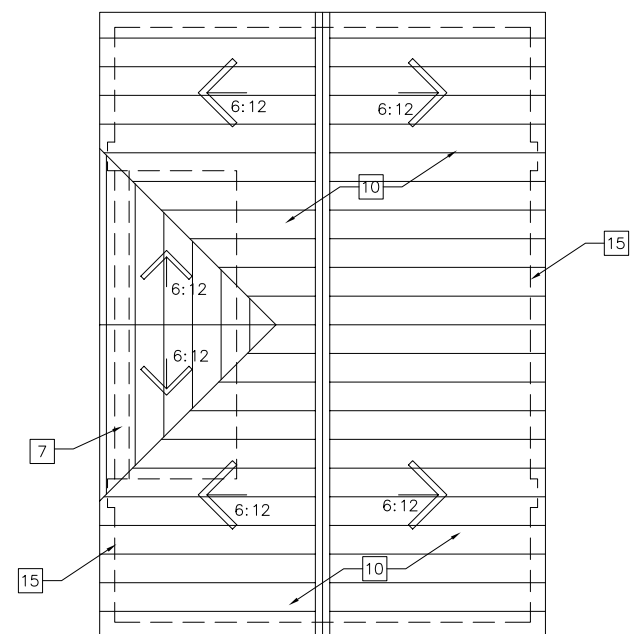
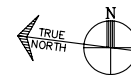
4 WEST ELEVATION
SCALE: 1/4" = 1'-0"
A0.01 A1.01



5 EAST ELEVATION
SCALE: 1/4" = 1'-0"
A0.01 A1.01



1 GROUND FLOOR PLAN
SCALE: 1/4" = 1'-0"
A0.01 A1.01



2 ROOF PLAN
SCALE: 1/4" = 1'-0"
A0.01 A1.01

NOTES BY SYMBOL "□"

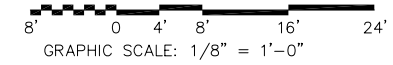
1. 8" BURNISHED FACED CMU, (F-1)
2. 8" SQ. CERAMIC TILE ON SMOOTH FACE CMU, (F-6)
3. 56"W.X16"T.-1 1/2" SQ. FIBERGLASS GRATE FASTENED IN 1 1/2"x1 1/2" FIBERGLASS ANGLE FRAME, (F-7)
4. 24" SQ.-1 1/2" THK FIBERGLASS GRATE FASTENED IN FIBERGLASS ANGLE FRAME, (F-7)
5. METAL DOOR & FRAME AS SCHEDULED, (F-5)
6. 8"D. SMOOTH FACE CMU, (F-2)
7. 16"D. SMOOTH FACE CMU LINTEL, (F-2)
8. 1X6 CEMENTITIOUS FASCIA BOARD, (F-4)
9. 1X2 CEMENTITIOUS FRIEZE, (F-4)
10. STANDING SEAM METAL ROOF, (F-3)
11. (4) 8" SQ. CERAMIC TILE ON SMOOTH FACE CMU, (F-6)
12. 12"D. BURNISHED FACE CMU COLUMN, (F-1)
13. 1/4" THK. CEMENTITIOUS VENTED SOFFIT BOARD, (F-4)
14. WALL MOUNTED LIGHT FIXTURE; REF. ELEC.
15. FACE OF MASONRY WALL BELOW.
16. 4"W. X 2"D. TROUGH/SLAB RECESS-SLOPE TO DRAIN, REF. DETAIL 8/A1.03

EXTERIOR COLOR LEGEND "F-~"

- (F-1) BURNISHED CMU: - FEATHERLITE
- (F-2) SMOOTH CMU: - FEATHERLITE
- (F-3) PREFINISHED METAL - MBCI:
- (F-4) PAINTED CEMENT BOARD - BENJAMIN MOORE #HC-
- (F-5) HOLLOW METAL PAINT - BENJAMIN MOORE DOOR/FRAME: #HC-
- (F-6) CERAMIC TILE:
- (F-7) FIBERGLASS GRATE & FRAME:

GENERAL NOTES

1. DIMENSIONS ARE TAKEN FROM FACE OF MASONRY OR FACE OF PARTITION UNLESS INDICATED OTHERWISE.
2. REFER TO SHEET CS1.01 FOR SYMBOLS LEGEND & LIST OF ABBREVIATIONS.
3. NOTES BY SYMBOL ARE SHEET SPECIFIC.



NO.	DESCRIPTION	DATE	APPROVED

KOMATSU
ARCHITECTURE

Robinson Park Restrooms
City of Taylor, Texas
PLANS, ELEVATIONS & SECTIONS

SHEET SIZE: 24" x 36"
JOB No: 04.101
DATE: 01/07/05
SHEET
A1.01